

PIKOM

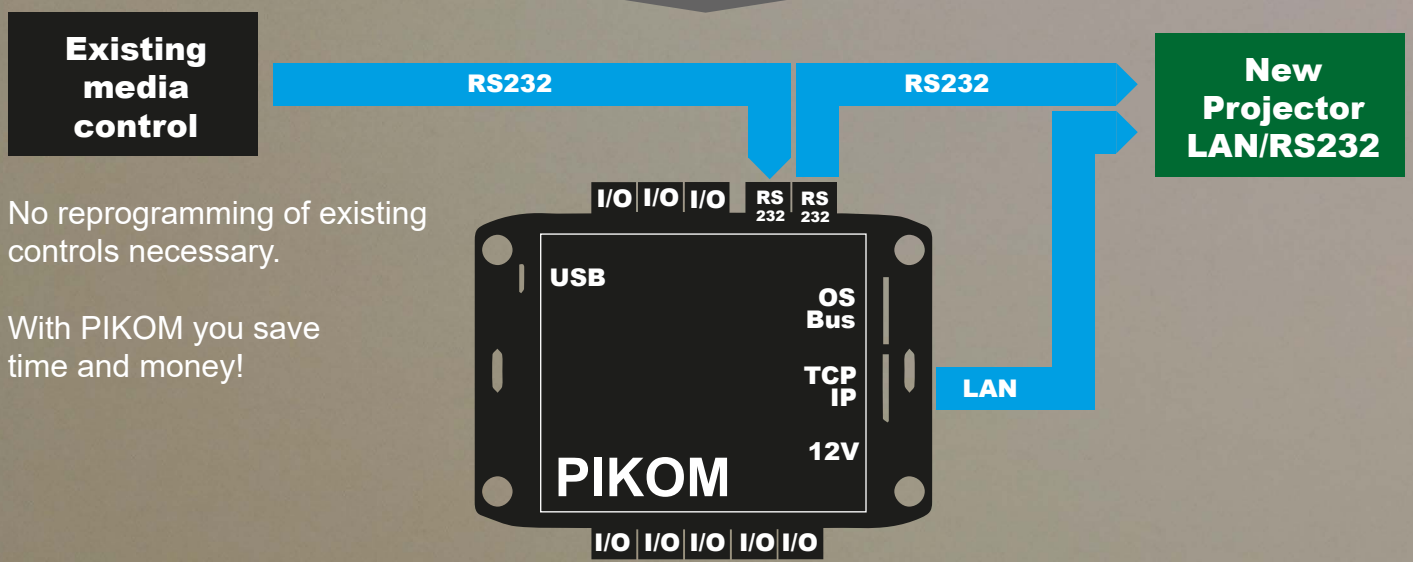
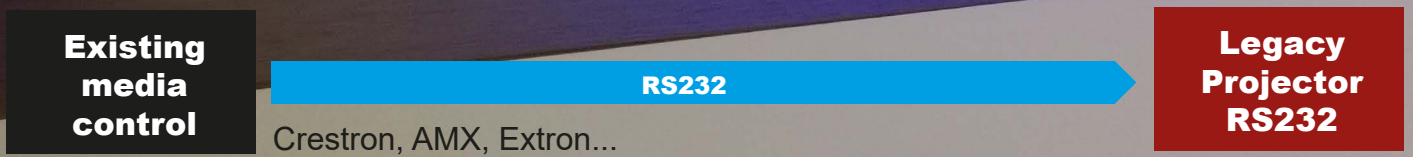
A multifunctional helper for control media devices

Due the integrated KOMTRANS functionality PIKOM is suitable not only for translating old to new commands.

With up to 8x input buttons it can transmit any control commands to the connected media technology by simply pressing a key.

One example of many:

Renovation of the conference room after 10 years



No reprogramming of existing controls necessary.

With PIKOM you save time and money!

PIKOM media control

4 in 1 Universal control module with integrated command translation and simple programming via USB

- Translating control codes bidirectional
- KOMTRANS commands ported to any system
- Device control over RS232
macros, variable data, Power ON/OFF, groups
- Device control over TCP-IP/UDP
macros, variable data, Power ON/OFF, groups
- Device control by keystroke

KOMTRANS functionality

- Command translation of fixed commands
- Translation from:
RS232 to RS232, RS232 to LAN, LAN to RS232
- Several translation paths in the same project
- Incl. adjustable feedback

Offline configuration

- Configuration without a connected device
- Simple projects data storage / transfer to other PIKOM
- Easy programming via USB
- "Simple Click and Set" application
- Many helper tools included
- Command list for remote control the PIKOM

No programming knowledge required

- Easy configuration via tables
- WYSIWYG application
- "Simple Click and Set" application
- Prepared auxiliary functions for actions such as macros or variable values

OS Bus-Function

- Expansion of PIKOM:
Buttons, contacts, relays (in preparation)
- Extensions are deducted:
Modules can be used where they are needed

Minimized power consumption

- Power consumption in standby mode below 1 Watt

Cost saver and helper tool

- PIKOM instead of reprogramming the control systems project
- Unknown projects will not be affected by the programm
Example: if the projector to be controlled is changed
- Combine proven media control programming with the latest equipment
- Housing optimized for easy installation

Expansion module for other media controls

- Remote control over RS232 / LAN
- Located controllable expansion module
- Regardless of the manufacturer

RS232	TCP-IP	8-fach I/O
OS Bus	USB	helping hand
offline edit	WYSIWYG	time saving
easy config	macros	standby < 1W



Dimensions (W x H x D)
133mm x 43mm x 101mm

Connections

USB: USB connection for programming and optional power supply of the PIKOM. (min. 1A)

I/O 1-8: At the terminals labeled "IOx" the keys/buttons are connected.

COM 1-2: At the "COM x" marked terminals, the devices to be controlled over RS232 are connected.

Status LED: Lights when the system is active. Blinks when an event runs. (for example, Macro or set time delay)

Power LED: The Power LED indicates when PIKOM has enough power.

OneSwitch RS485 Bus: Connection point for optional extensions. Referred to in the documentation as OS bus.

Ethernet: RJ45 port for TCP / IP connection

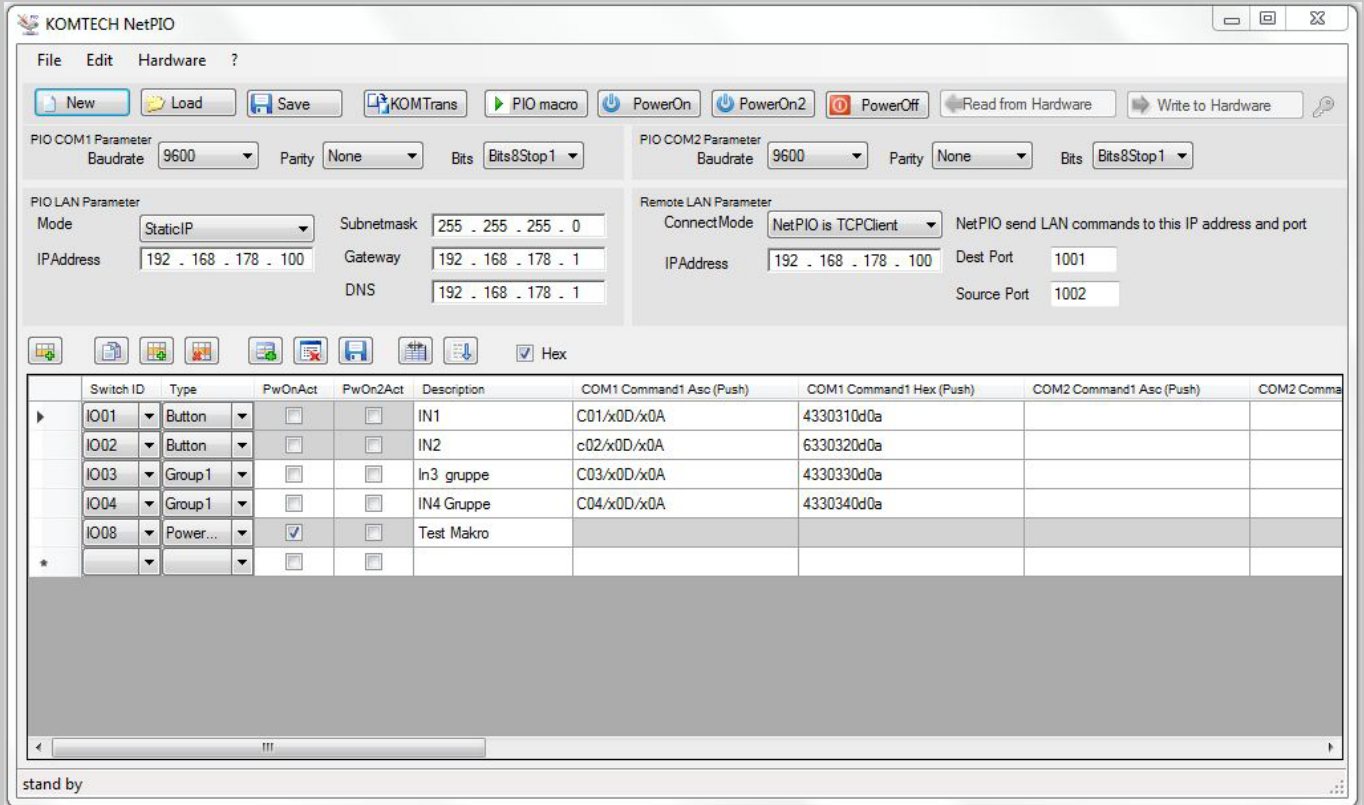
Power: Connection power supply 12-15V (2-3A)

The external power supply is definitely needed if OS Bus extensions are used.

PIKOM Examples

Easy programming

offline edit WYSIWYG easy config macros

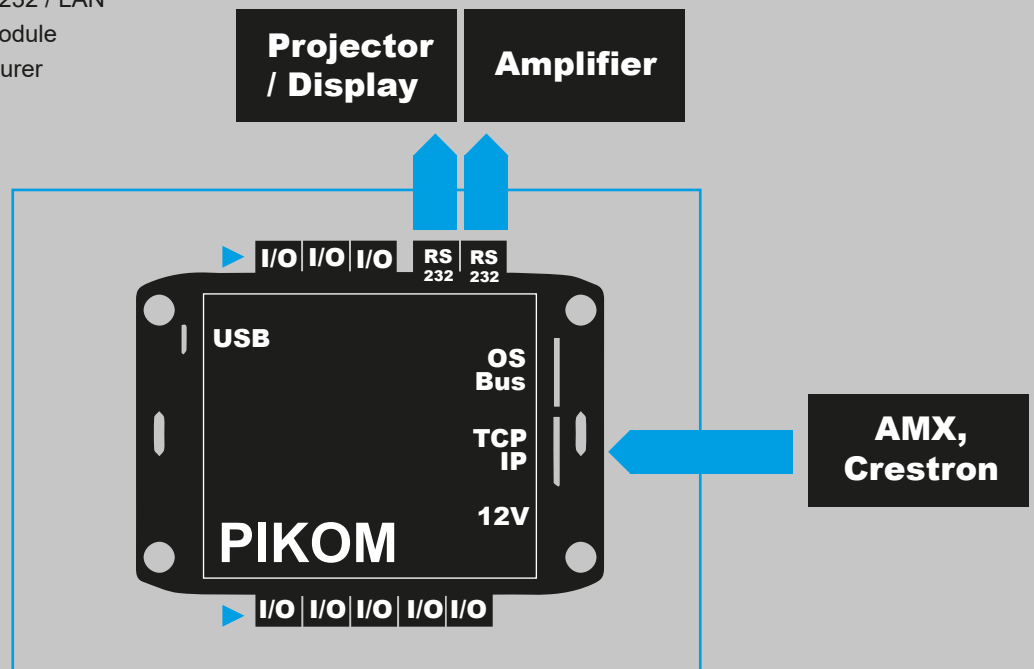


Use as a module for large media controls

RS232 TCP-IP USB
easy config macros

- Control commands over RS232 / LAN
- Free placeable extension module
- Regardless of the manufacturer

To	To Command Asc
COM1	C01/x0D/x0A
COM1	C02/x0D/x0A
COM1	

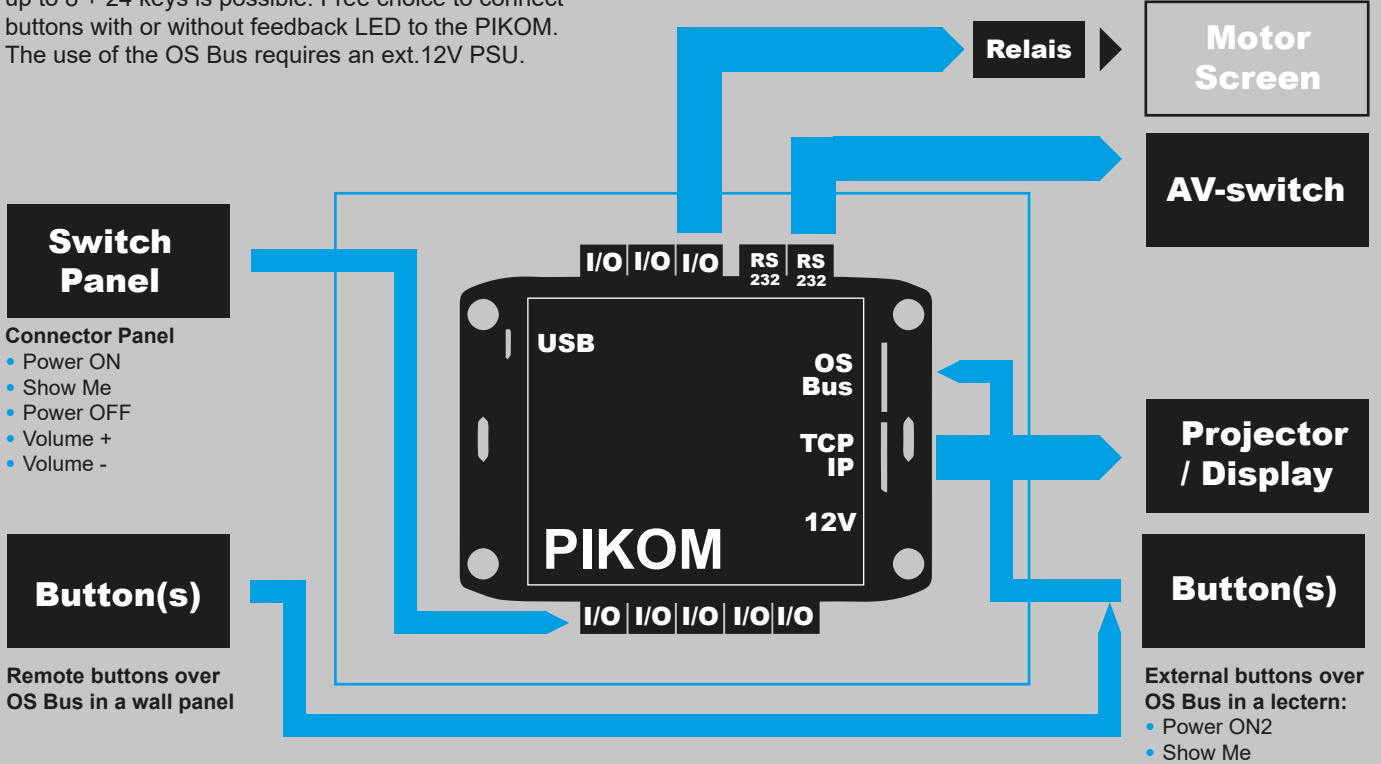


PIKOM Examples

Free placeable keys and contacts

I/O	RS232	TCP-IP	UDP	OS Bus	RS485	ext. 12V
-----	-------	--------	-----	--------	-------	----------

With the PIKOM a remote operation of devices with up to 8 + 24 keys is possible. Free choice to connect buttons with or without feedback LED to the PIKOM. The use of the OS Bus requires an ext.12V PSU.



Using PIKOM as a mini controller

I/O	RS232	TCP-IP	UDP	USB	config power
-----	-------	--------	-----	-----	--------------

